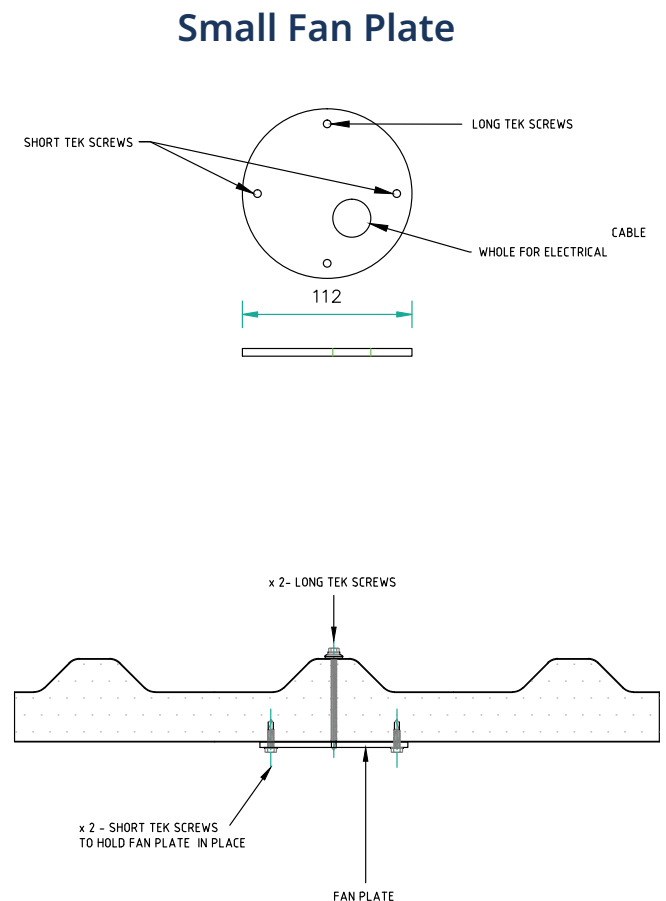
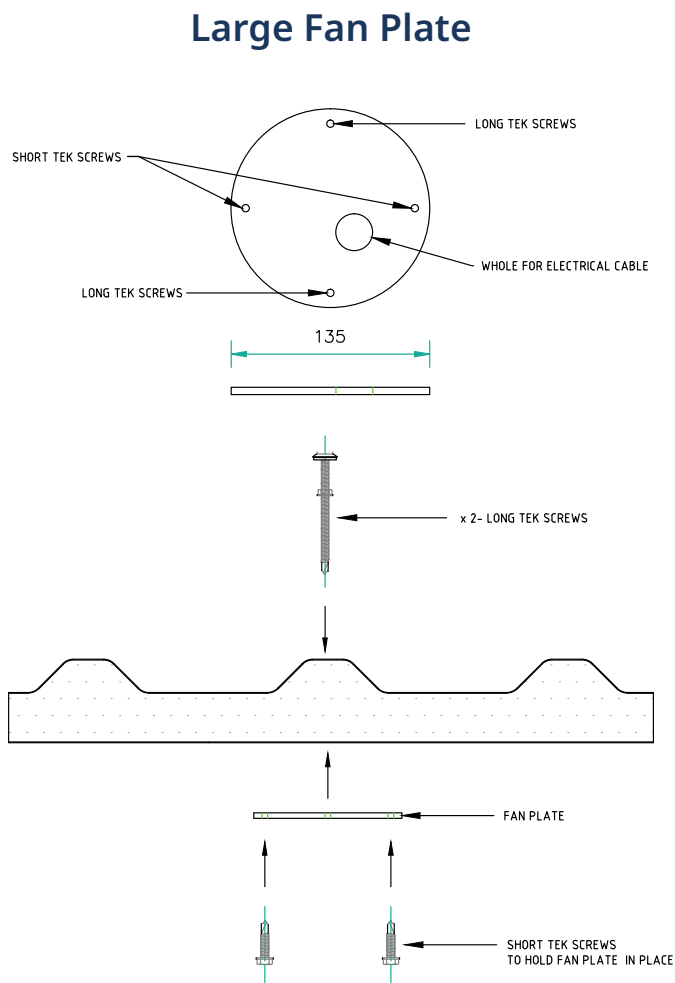


# Guide for Installation of Ceiling Fans in Insulated Product

See drawings to find measurement of small and large plate depending on the size of the fan:



## Step 1.

Drill pilot hole from top of ridge of sheet through to the bottom for a position guide.

## Step 2.

Go to underneath sheet and screw fan bracket in place with small Tek Screws.

## Step 3.

Then drill 1 long screw into the pilot hole from the top through the ridge of the sheet and drill the other long screw as close to the edge of the bracket as possible to allow the fan to be attached to the base plate, under the sheet. The fan is then fitted to the base plate when installed by an electrician.